

CABLE COLUMN

5633

ASSEMBLY & PARTS

Assembly Notes

1. Keep all shipping packages near area of installation. Standard items include:
 - Shipping box for Column - 5605-9x
 - Handrail - 5315-50
 - Top Weight Package - 01475
 - Weight Pack 1 (3 x 12, **black**) - 4700S110
 - Upper Boom - 5315K002
 - Lower Boom - 5315K003
2. Follow assembly guidelines listed on the 5600 Modular Center Post Assembly & Parts instruction sheet. Also refer to the steps listed below.

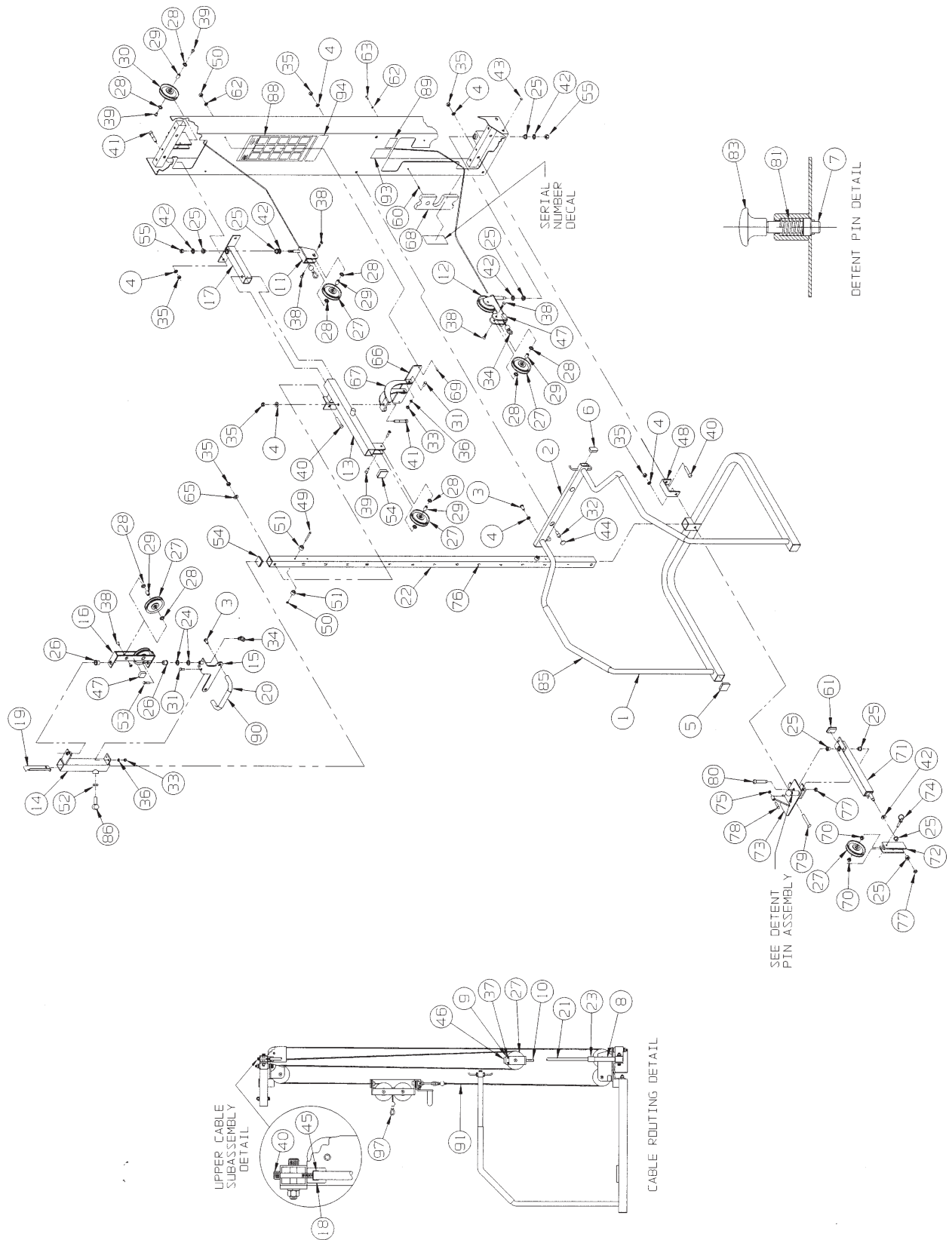
NOTE: *x denotes specific color.*
3. Lay column on side.
4. Install lower pulley bracket (item 12). Install upper pivot tube (item 17) and upper pulley mount (item 11).
5. Lift column into upright position and secure to center post.
6. Install Upper Boom. See Upper Boom Installation Instructions supplied with the Upper Boom kit.
7. Set chrome tube into hand rail assembly. Fasten upper portion finger tight
8. Install Lower Boom if applicable. See Lower Boom instructions supplied with Lower Boom kit.
9. Attach lower portion of hand rail to column.
10. Route cable. **NOTE:** *Be sure to insert cable through brass bushing. See Cable Routing Detail.*
11. Install weight stack.
12. Mount column to Modular configuration.

5633 - Cable Column

ITEM	QTY	PART NO.	DESCRIPTION
1	1	01667	Hand Rail
2	1	5315-201	Cross Tube
3	4	JC780417	BHSCS .50-13 x 1.00
4	11	JS388300	Split Lockwasher .50
5	2	PP090210	Plastic Insert 2.00 SqX
6	2	PP090205	Plastic Insert 1.00 x 2.00
7	1	4113M041	Detent Pin
8	2	01141	Spacer
9	1	01142	Pulley Mount Cap
10	1	01143	Pulley Mount
11	1	01144	Upper Pulley Bracket
12	1	01455	Lower Pulley Bracket
13	1	5315-204	Top Tube
14	1	5315-203	Adjusting Tube
15	1	5315-202	Ballet Bar Bracket
16	1	01150	Pulley Bracket
17	1	01155	Pivot Tube
18	2	01755	Guide Rod Collet
19	2	01694	Corner Bracket
20	1	5315-307	Ballet Bar
21	2	5310M035	Weight Stack Guide Rod
22	1	5315P011	Adjusting Tube
23	2	PR060005	Weight Bumper
24	2	FB030220	Machinery Bushing
25	8	FB050219	Flange Bearing .62 ID x .75 OD x .50 L
26	2	FB050222	Flange Bearing .75 OD X .88 ID x .75 L
27	8	GP000000	Pulley Assembly 4.50
28	16	GP000004	Pulley Spacer
29	8	GP000203	Pulley Center
30	1	GP000204	Pulley Assembly 3.00
31	4	HC700417	BHSCS .375-16 x 1.00
32	2	HC782817	SHCS .50-13 x 1.00
33	4	HN704000	Hex Nut .375-16
34	5	HN705618	Eye Socket Nut
35	8	HN784000	Hex Nut .50-13
36	2	HS348300	Split Lockwasher .375
37	4	HT582210	Tap Screw #10-32 x .375
38	12	JC700914	FHSCS .375-16 x .62
39	4	HC700414	BHSCS .375-16 x .625
40	4	JC782830	SHCS .50-13 x 2.50
41	3	JC782834	SHCS .50-13 x 3.00
42	5	JS407100	Machinery Bushing .625
43	4	PN660201	Hole Plug
44	2	PP080202	Plastic Insert
45	2	PP080204	Plastic Cap .625 ID x .68 OD
46	1	PU060200	Bumper
47	2	PU060201	Bumper
48	1	01892	Bracket
49	2	HC620430	BHSCS .25-20 x 2.50
50	4	HN624100	Hex Nut .25-20
51	4	PR069400	Recess Bumper
52	1	01692	Threaded Insert
53	1	JC700422	SHCS .375-16 x 1.50
54	2	PP090210	Plastic Insert 2.00 Sq
55	2	HN784900	Nylon Locknut .50-13
56	1	01475	Top Weight Assembly
57	2	4700-019	Flange Bearing
58	2	BR030206	Retaining Ring
59	1	HP286819	Spiral Pin
60	1	02106	Half Weight Peg
61	1	PP090000	Plastic Insert
62	3	HS308300	Split Lockwasher .25
63	1	JC620415	BHSCS .25-20 x .75
64	14	4700C089	Stack Weight 3 x 12
65	1	HS387500	Washer .50
66	1	5315-206	Mounting Bracket

ITEM	QTY	PART NO.	DESCRIPTION
67	1	5315-210	Gusset Bracket
68	1	4301C096	Half Weight
69	2	JC620415	BHSCS .25-20 x .75
70	2	01053	Pulley Clevis Adapter
71	1	5315-207	Lower Arm
72	1	5315-208	Pulley Tab
73	1	5315-209	Mounting Bracket
74	1	BH030205	Quick Release Pin
75	1	HN704400	Jam Nut .375-16
76	1	4108Y057	Black RLD Number Decal
77	2	HN784900	Nylon Locknut .50-13
78	1	JC700422	BHSCS .375-16 x 1.50
79	1	JC780938	FHSCS .50-13 x 3.50
80	1	JD403332	Shoulder Bolt
81	1	BS070201	Compression Spring
82			Removed
83	1	PP460200	Plastic Knob
84			Removed
85	2	1670M115	Foam Grip
86	1	01702	Handle Subassembly
87	1	02224	Screen (not shown)
88	1	01159	Placard Decal
89	1	4000Y316	Caution Decal
90	1	5208M046	Foam Grip
91	1	5315S028	Cable Subassembly
92			Removed
93	1	02521	Warning Decal
94	1	4800-381	Warning Decal
95	1	5315-211	Cable Subassembly
96	1	4800-515	Weight Plate Decal
97	1	GQ000206	Snap Link
98	2	HS760106	Flat Washer 1.75 OD .69 .14 T
99	1	5310P044	Weight Selector Pin
100	1	5310S040	Handle Assembly (not shown)
101	1	02203	Straight Handle (not shown)
102	1	51122	Ankle Strap (not shown)
103	1	51073	Hip Harness (not shown)
104	1	5315-003	Pulldown Bar (not shown)
105	1	01255	Handle Assembly (not shown)
106	1	51121	Thigh Strap (not shown)

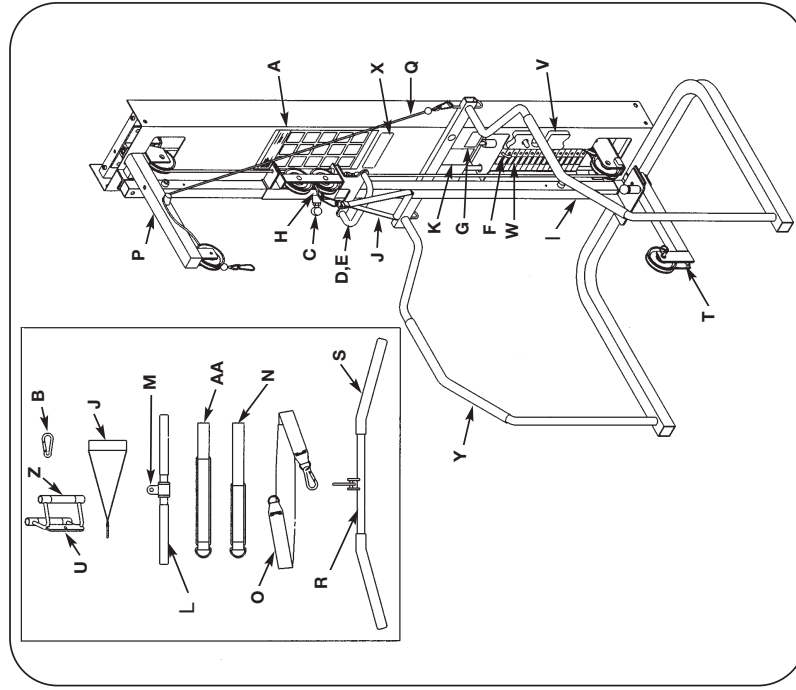
NOTE: This machine shipped with an Owner's Manual.
Additional copies can be obtained by contacting your dealer
or a Cybex Representative at 1-888-462-9239.



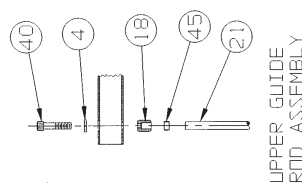
CABLE COLUMN

ASSEMBLY & PARTS

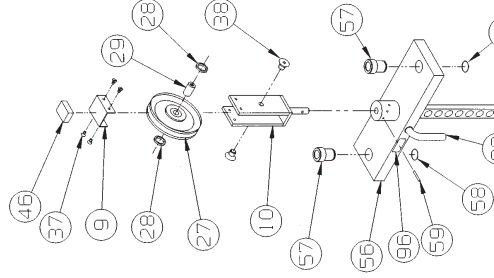
5633



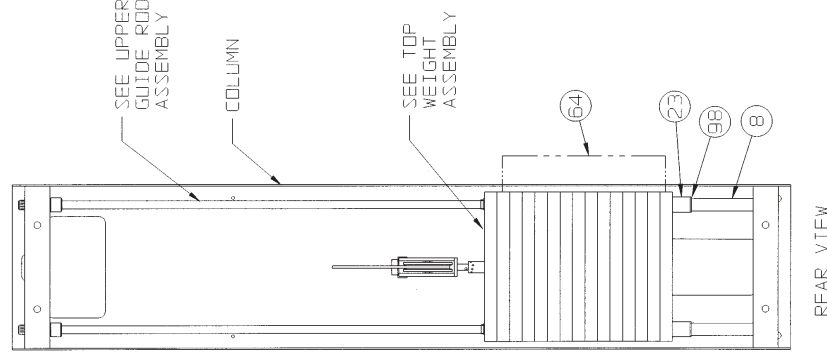
DESCRIPTION	PART NO.	DESCRIPTION	PART NO.
A. Placard Decal.....	01159	O. Hip Harness.....	51073
B. Snap Link.....	GQ000206	P. Upper Boom Kit.....	5315K002
C. Handle Subassembly.....	01702	Q. Cable Subassembly.....	5315-211
D. Ballet Bar.....	5315-307	R. Pulldown Bar.....	5315-003
E. Foam Grip.....	5206M046	S. Handgrip.....	PR4-00201
F. Weight Selector Pin.....	5310P044	T. Lower Boom Kit.....	5315K003
G. Caution Decal.....	4000Y316	U. Handle Subassembly.....	01255
H. Cable Subassembly.....	5315S028	V. Half Weight.....	4301C096
I. Serial Number Decal.....	5310S040	W. Weight Plate Decal.....	4800-515
J. Handle Subassembly.....	02521	X. General Warning Decal.....	4800-381
K. Warning Decal.....	4055M028	Y. Foam Grip.....	1670M115
L. Foam Grip.....	02203	Z. Foam Grip.....	5310M042
M. Straight Handle.....	51123	AA. Thigh Strap.....	51121
N. Ankle Strap.....	51123		



UPPER GUIDE ROD ASSEMBLY



TOP WEIGHT ASSEMBLY



REAR VIEW

